

Tent Instructions

13 x 16

Awning



Packing List:

1. Tent
2. Ropes (tied to tent)
3. Twelve Stakes (in tent bag)
4. Twenty-Five Angles - 10 floors (no cables), 6 end truss (3-way angle with cap) 9 center truss (4-way angle)

Set Up:

1. Buy or make your own poles.
2. Clear a flat area.
3. Lay a ground tarp (optional but helps keep the area clean).
4. Assemble rafter system. (see Rafter System diagram)
 - a. Truss angles will already have the cables installed.
 - b. Install the rafter poles (longest poles)
 - c. Connect each truss with the common poles (medium length poles)
5. Install legs on one side (this keeps frame low enough to install canvas). Leg poles are the shortest poles and do not have pole clips. We do not install poles clips on these as we don't want the weight of the tent sitting on the clips.
6. Put canvas onto frame system (zipper and corners should be open). This is easier with two people. One on each side of the tent, making sure canvas is not catching on the frame as you pull it over.
7. Adjust canvas to align with frame and fasten the straps that are on the center ridge.
8. Install legs on other side. Typically, this is done by two individuals going inside the tent and lifting it up while installing the legs.
9. Install poles along floor (optional). If you bought a frame from us, you will have two poles that have welds. These go along the bottom for the front and back of the tent. If you are making your own frame, you will need to make a splice for connecting the poles along the bottom for front and back of tent.
10. Velcro and tie all corners.
11. Adjust the frame location properly, fasten all the straps to the frame.
12. Tuck ground cloth under floor poles or side poles or secure down with other material on the outside.
13. Stake, and tighten ropes (make sure there is not too much tension on zipper) – Always stake your tent down even when setting up your tent at home.

Materials Needed If Building Your Own Frame: To complete your frame you will need ¾" EMT (electrical) conduit that has an outside dimension of .922". EMT can be purchased at most hardware stores in 10-foot sections. Floor pieces (front & back poles and 4 Common Poles) are not necessary but help keep legs square. Often individuals do not do the floor pole across the front of the tent.

Name	QTY	Length
Rafter	10	7'-5"
Floor (front & back)	4	6'-5 1/2"
Floor Splice *	2	2'
Common Pole	18	5'-4 1/2"
Leg	10	4'-9"

*Pipe size should be 1" conduit. Drill hole in one side of splice piece and through one of the floor poles. Bolt can be placed through hole. You may also buy a coupler from your local hardware store instead.

How Many Poles to Buy:

If you would like to minimize wasted material and cut costs on the frame we suggest using the remaining 4'-7 1/2" pole scraps from the Common Poles for your legs. This will reduce the wall height by about 2 inches. You can also use two of these 4'-7 1/2" pieces as part of the floor that goes in the front and back. If you go this route you will need two 8'-4" poles sections to complete the front and back floor section along with a splice piece. Building your complete frame in this manner, including the awning will require thirty 10' sections.

Complete Frame with Awning:

10 Poles for Rafters

18 Poles for Common (lateral poles) – use the cut portion for Legs

2 Poles for Floor (front and back)

If No Floor Poles:

10 Poles for Rafters

12 Poles for Common – use the cut portion for legs

5' Walls (If you do not want your walls 4'-10" by using the cut portion of the Common Poles)

6 Poles for Legs

Additional Frame Information:

Angle pieces have an inside diameter of 1" and 3/4 EMT has outside diameter of .922". You may want to color code the ends of your poles with duct tape. This will help with assembly and reduce the extra space between the poles and the angle pieces.

If you've purchased pole clips (highly recommended), drill ¼" hole 1-3/4" from the end of your common poles. Make sure holes on each end of the pole align with each other. Drill one side, install pole clip, and then clip it into an angle piece. This will help align the hole location for the other side. A drill press and pipe level also works well. Do not install clips on leg poles.

Elk Mountain Tent Frames:

You do not need to purchase any conduit, pole clips, or pole bags. You will have four extra rafter poles. Two of these will have a weld section on them. These poles are for the floor that go along the front and back of the tent. The pole without the weld will slide into the welded pole.

Extra Metal D-Rings:

There are metal d-rings that go along the bottom of the outside of your tent. This allows you to stake down the walls. We do not send stakes for these d-rings. There are also d-rings along the ridge of the tent. This is for doing a "no frame" back county set-up where the tent hangs from the d-rings.

Attention:

1. Do not drag the tent cloth when assembling and dismantling, in order to avoid damage to canvas.
2. When winter camping clear off snow buildup. Frames are not designed to handle snow loads.
3. Only use a wood stove per the manufacture's recommendation. Always have a spark arrestor. Sparks will burn a hole in any tent canvas.
4. Clean and dry tent before storing.
5. We highly suggest you set up the tent for the first time at home before going into the mountains to assure you have all of the parts needed.

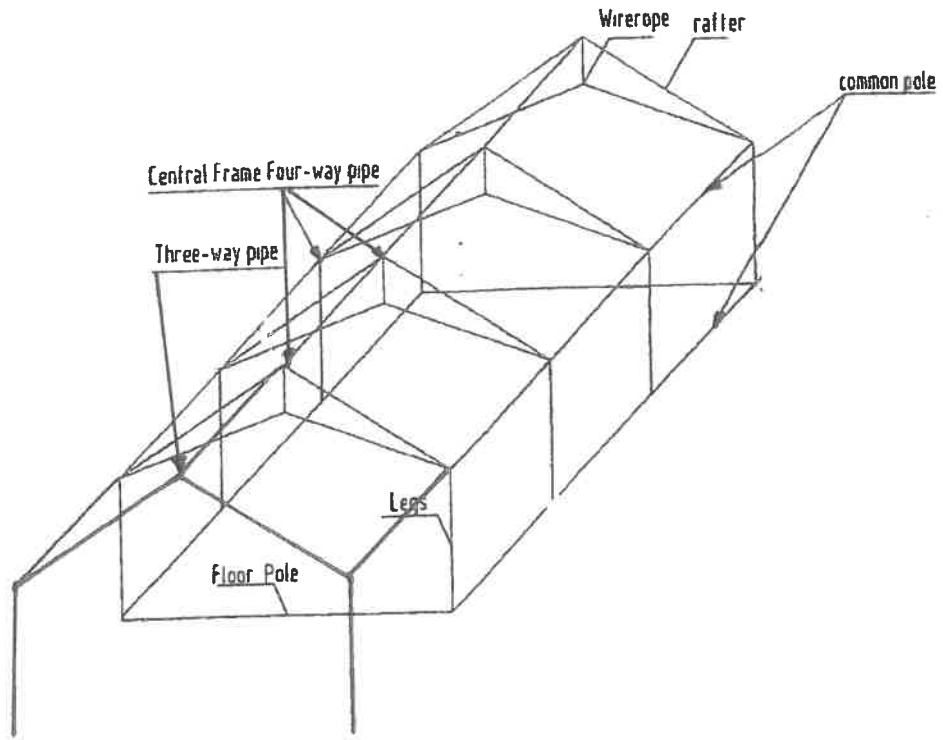
Stove Jack:

Cut stove jack to required size. A rubber gasket is not needed; the material is heat resistant. You may want to cut the hole ¼" larger than the stove pipe to allow the tent to move without pulling on the pipe.

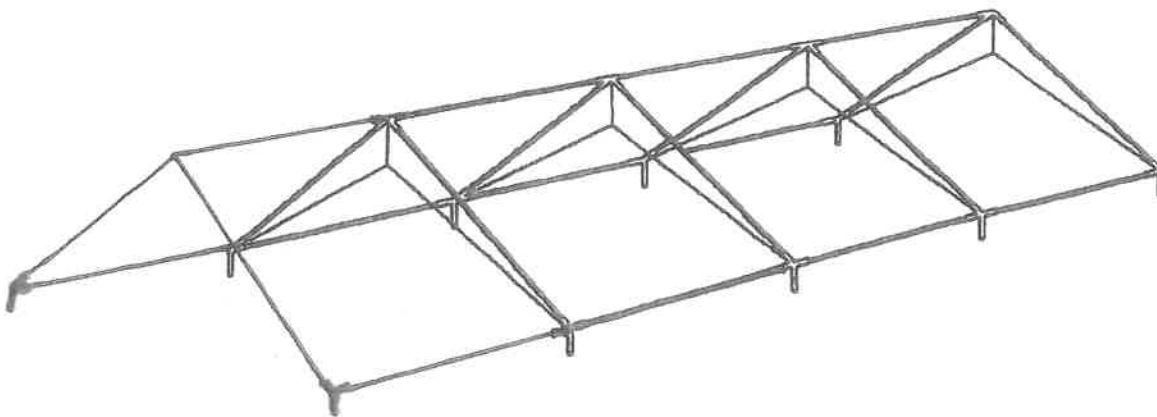
A copy of these instructions along with some videos can be found at

<http://www.elkmountaintents.com/wall-tent-setup/>

Frame Image



Rafter System



Floor System

