

Tent Instructions

13 x 16



Packing List:

1. Tent
2. Ropes (tied to tent)
3. Ten Stakes (in tent bag)
4. Twenty Angles (8 floor, 6 end truss (white cap) 6 center truss)

Setup:

1. Clear a flat area.
2. Lay a ground tarp (optional but helps keep the area clean).
3. Unclip wire rope from ridge angle pieces.
4. Assemble rafter system.
5. Clip wire rope back to ridge angle pieces.
6. Install legs on one side (this keeps frame low enough to install canvas).
7. Put canvas onto frame system (zipper and corners should be open).
8. Adjust canvas on frame and attach ties to ridge poles from inside tent.
9. Install legs on other side.
10. Install poles along floor (optional).
11. Velcro and tie all corners.
12. Fasten all other ties to frame.
13. Tuck ground cloth under floor poles or side poles or secure down with other material on the outside.
14. Stake, and tighten ropes (make sure there is not too much tension on zipper) – Always stake the tent down, even when setting it up at home.

Materials Needed If Building Your Own Frame:

To complete your frame, you will need ¾" EMT (electrical) conduit that has an outside dimension of .922". EMT can be purchased at most hardware stores in 10-foot sections. Floor pieces (front & back poles and 4 Common Poles) are not necessary but help keep legs square. Often individuals do not do the floor pole across the front of the tent.

Name	QTY	Length	
Rafter	8	7'-5"	
Floor (front & back)	4	6'-5 1/2"	
Floor Splice *	2	2'	
Common Pole	15	5'-4 1/2"	
Leg	8	4'-9"	

*Pipe size should be 1" conduit. Drill hole in one side of splice piece and through one of the floor poles. Bolt can be placed through hole. You may also buy a coupler from your local hardware store instead.

How Many Poles to Buy:

If you would like to minimize wasted material and cut costs on the frame, we suggest using the remaining 4' - 7 ½" pole scraps from the Common Poles for your legs. This will reduce the wall height by about 2 inches. You can also use two of these 4'-7 ½" pieces as part of the floor that goes in the front and back. If you go this route you will need two 8' - 4" poles sections to complete the front and back floor section along with a splice piece. Building your complete frame in this manner will require twenty-five 10' sections.

Complete Frame:

8 Poles for Rafters

15 Poles for Common (lateral poles) – use the cut portion for Legs

2 Poles for Floor (front and back)

If No Floor Poles:

8 Poles for Rafters

9 Poles for Common – use the cut portion for legs

5' Walls (If you do not want your walls 4'-10" by using the cut portion of the Common Poles)

4 Poles for Legs

Additional Frame Information:

Angle pieces have an inside diameter of 1" and ¾ EMT has outside diameter of .922". You may want to color code the ends of your poles with duct tape. This will help with assembly and reduce the extra space between the poles and the angle pieces.

If you've purchased pole clips (highly recommended), drill ¼" hole 1-3/4" from the end of your common poles. If you add pole clips to your rafter poles drill 1/4" hole 1-1/4" from the end of the pole. Make sure holes on each end of the pole align with each other. Drill one side, install pole clip, and then clip it into an angle piece. This will help align the hole location for the other side. A drill press and pipe level also works well. Do not install clips on leg poles.

Elk Mountain Tent Frames:

You do not need to purchase any conduit, pole clips, or pole bags. You will have four extra rafter poles. Two of these will have a weld section on them. These poles are for the floor that go along the front and back of the tent. The pole without the weld will slide into the welded pole.

Extra Metal D-Rings:

There are metal d-rings that go along the bottom of the outside of your tent. This allows you to stake down the walls. We do not send stakes for these d-rings. There are also d-rings along the ridge of the tent. This is for doing a "no frame" backcountry setup where the tent hangs from the d-rings.

Attention:

1. Do not drag the tent cloth when assembling and dismantling, in order to avoid damage to canvas.
2. When winter camping clear off snow build up. Frames are not designed to handle snow loads.
3. Only use a wood stove per the manufacture's recommendation. Always have a spark arrestor. Sparks will burn a hole in any tent canvas.
4. Clean and dry tent before storing.
5. We highly suggest you set up the tent for the first time at home before going into the mountains to assure you have all the parts needed.

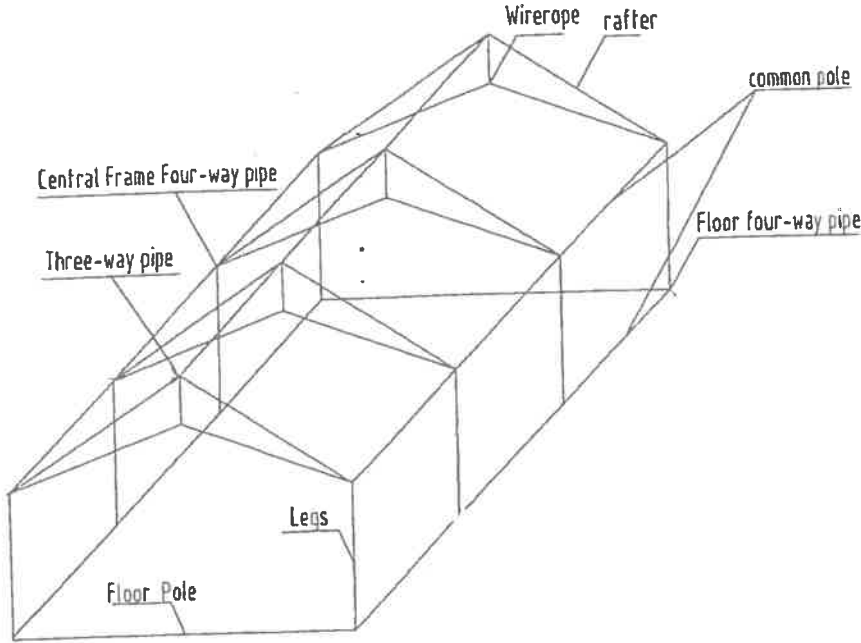
Stove Jack:

Cut stove jack to required size. A rubber gasket is not needed; the material is heat resistant. You may want to cut the hole $\frac{1}{4}$ " larger than the stove pipe to allow the tent to move without pulling on the pipe.

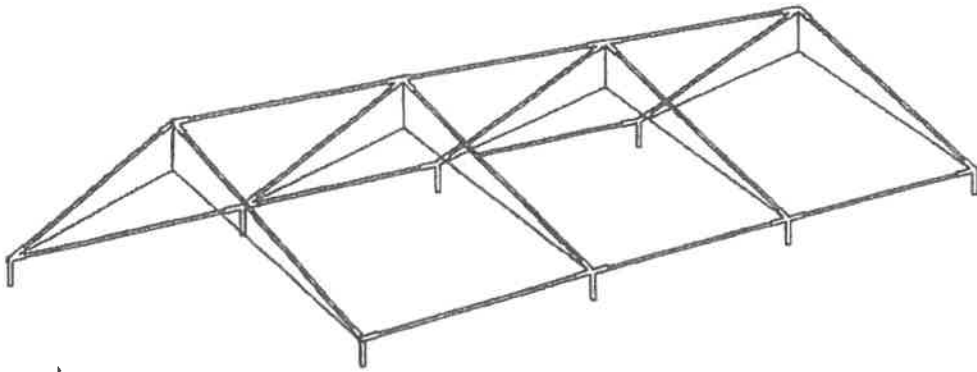
A copy of these instructions along with some videos can be found at

<http://www.elkmountaintents.com/wall-tent-setup/>

Frame Image



Rafter System



Floor System

